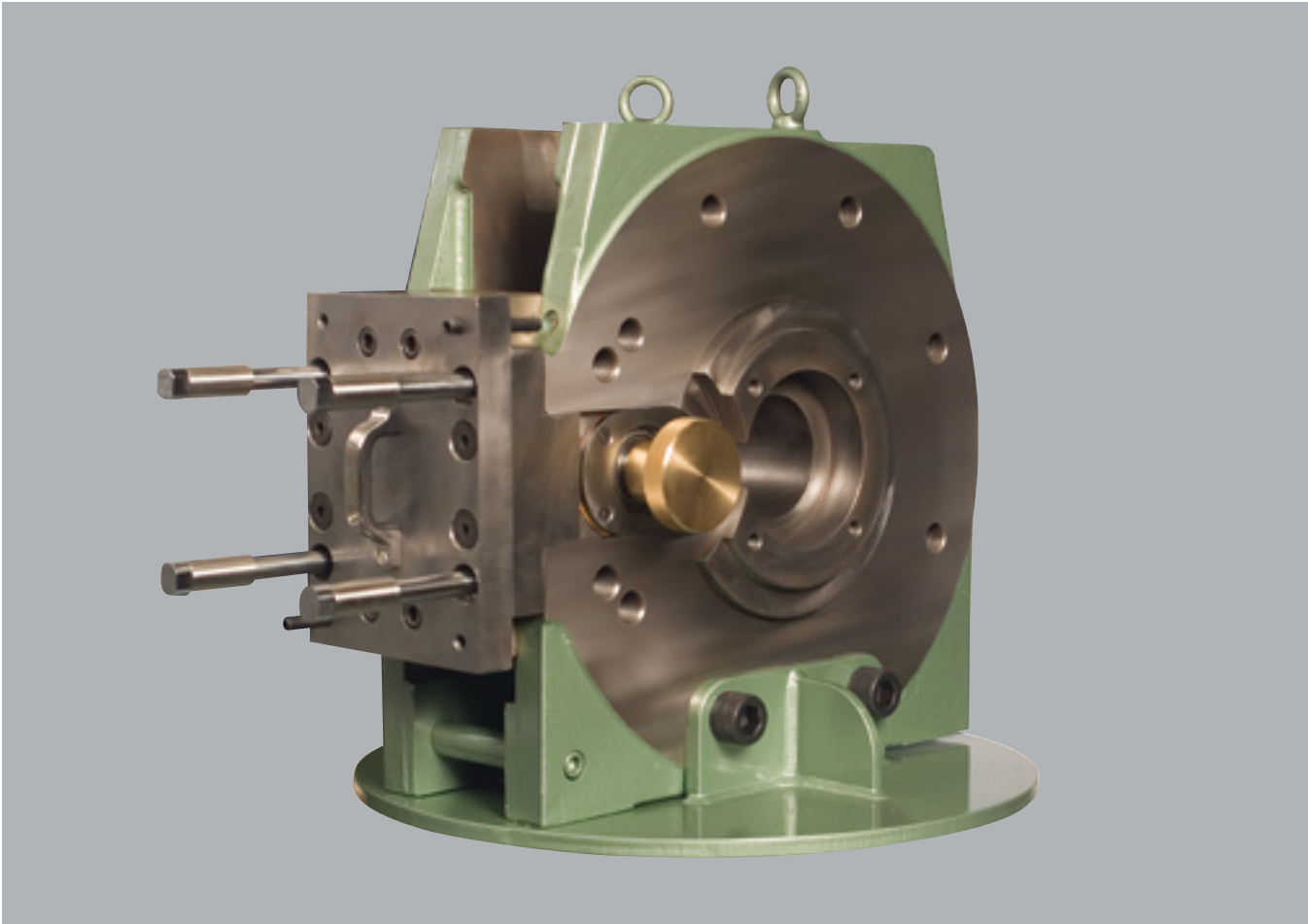


# ELASTOMER

## ELASTOMER LEAKAGE FREE (ELF) FEED SECTION

Davis-Standard's patented "Elastomer Leakage Free" (ELF) feed section feeds shavings scraped from the feed roll directly back into the process, reducing waste, and protecting feed roll bearings from contamination. This technology keeps the manufacturing area clean, and also keeps feed roll bearings protected from rubber contamination, a common problem caused by leakage.

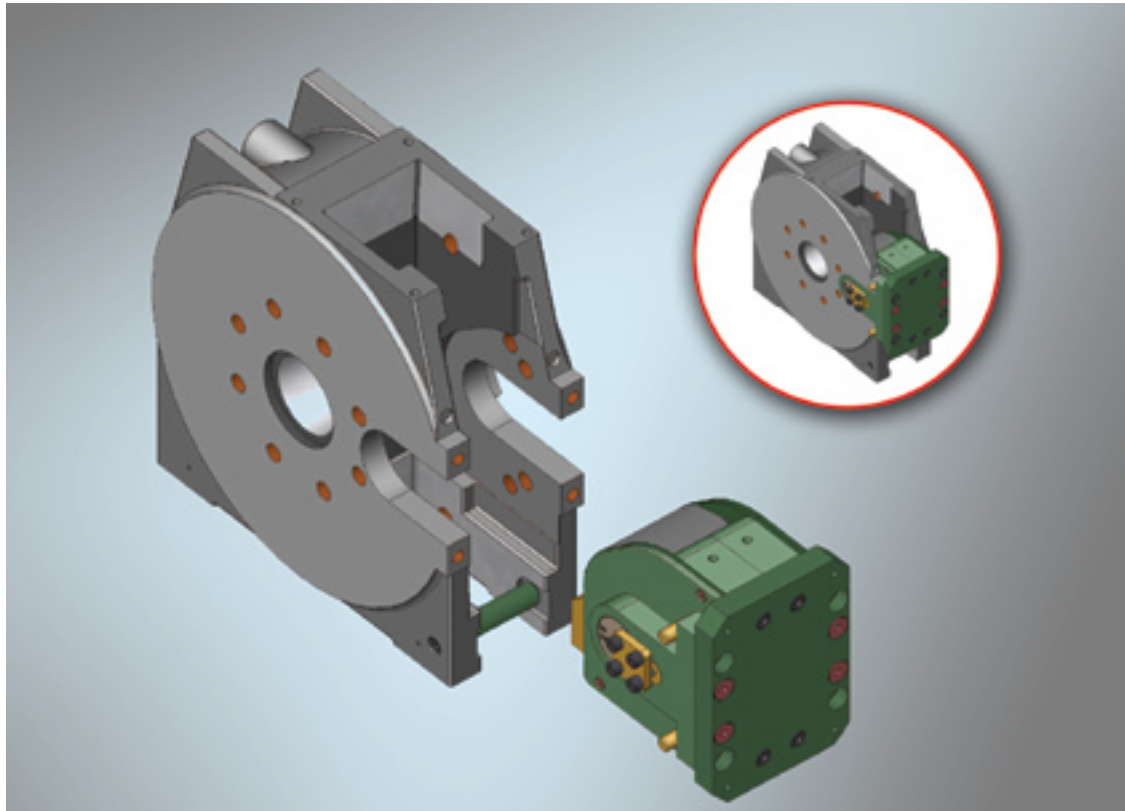


### *At A Glance*

- Available on all new 2 ½-inch (65mm), 3 ½-inch (90mm), 4 ½-inch (115mm), and 6-inch (150mm) Davis-Standard extruders.
- Retrofits available for replacing existing Davis-Standard feed sections.
- Shavings re-directed to the feed zone of the extruder in one turn of the feedroll; no scrap or waste.
- Removable "cassette" design. Scraper blade adjustable with feed roll on the bench.
- Retrofit package available for NRM extruders (screw and additional components required).



## ELASTOMER LEAKAGE FREE (ELF) FEED SECTION cont.



### ELF ADVANTAGES

- A removable feed roll assembly for accessible and convenient maintenance.
- Adjustable scraper blade located on the assembly for more accurate calibration of the blade-to-roll dimensions.
- Efficiency of feed roll design reduces waste, keeps the manufacturing area clean, and reduces issues caused by leakage.
- Feed sections can be retrofitted to existing machines with conversion kits that include feed roll assembly, scraper, bushing, and feed guard.

DAVIS-STANDARD, LLC  
#1 Extrusion Drive  
Pawcatuck, CT 06379-2313 | UNITED STATES  
Tel: +860-599-1010 | Fax: +860-599-6258

D-S BROOKES LIMITED  
Unit 33 Hainge Road  
Tividale, Oldbury, West Midlands B69 2NY | UNITED KINGDOM  
Tel: +44 121 522 0030 | Fax: +44 121 522 0031

DAVIS-STANDARD CHINA  
Room 1007, Jing An China Tower | 1701 Beijing (W) Road  
Shanghai 200042 | P.R. CHINA  
Tel: +86-21-5150 1908 | Fax: +86-21-5150 1906