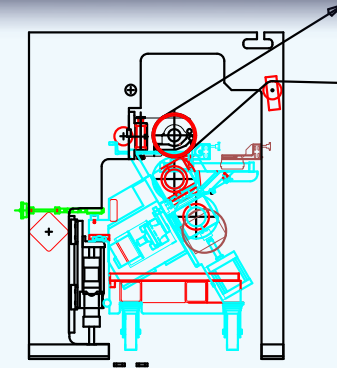
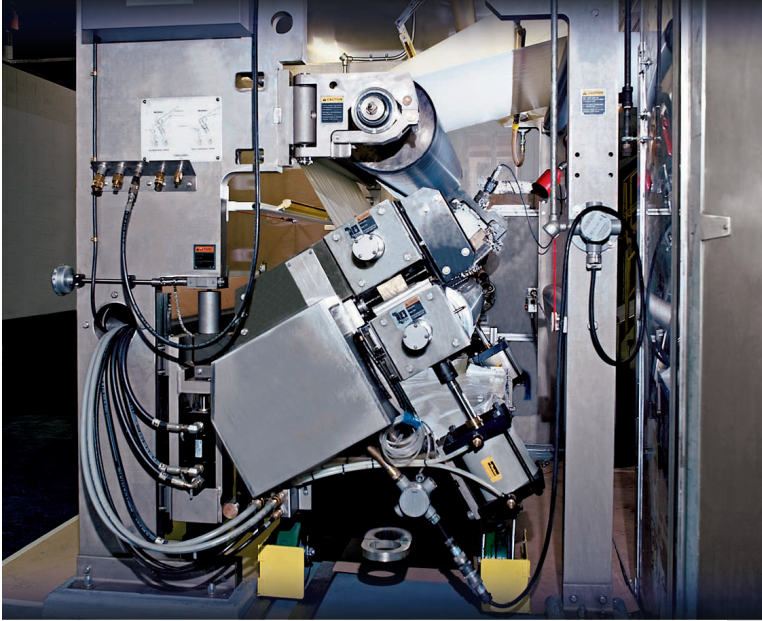


LIQUID COATING & LAMINATING



Nip-Fed Reverse Roll Coater Features include:

- Positive Sealing Dams
- Roll Skewing for High Viscosity coating solutions
- Motorized taper wedge assembly for closed loop coat-weight control

SERIES 4000 COATER

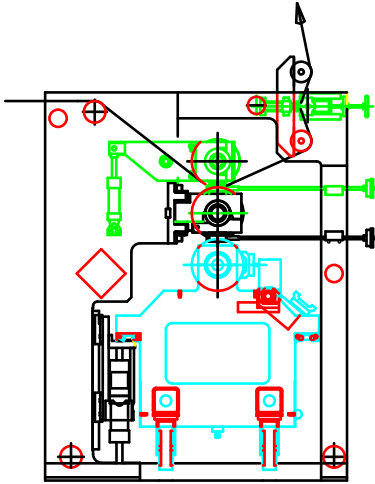
OVERVIEW

Whether your coatings are solvent-based, water-based, 100% solids or have a viscosity from 1 CPS to 100,000 CPS, the Davis-Standard cartridge coater approach gives you the flexibility to apply a wide range of coatings to achieve any of your goals. These and many more configurations are available for testing and evaluation at our Research and Technical Center in Fulton, NY.

DESIGN FEATURES

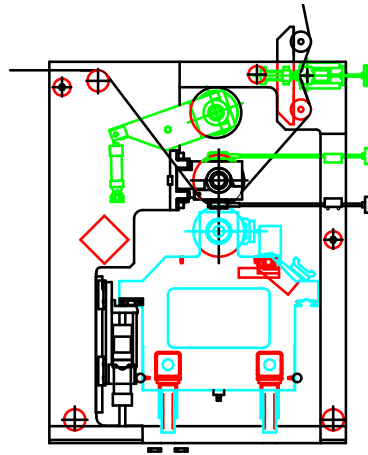
- Designed for up to 98" (2489 mm) roll face
- Designed for 12" (305 mm) nominal diameter rolls
- Cartridge design allows quick, easy changeovers
- Sleeve system for multiple web widths
- Predrilled to accept optional smoothing assembly, chrome back-up roll and/or hold down roll assembly
- Includes precision gap adjusters
- Designed to incorporate optional coater enclosure
- Variety of web handling rolls available (bowed, flew, skew, etc.)
- Pendulum mounted touch screen control panel
- AC vector drives

SERIES 4000 COATER



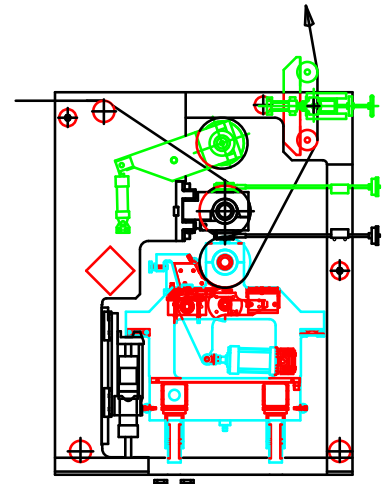
OFFSET GRAVURE COATER

- Enclosed Applicator
- Chrome-plated or ceramic-coated gravure rolls



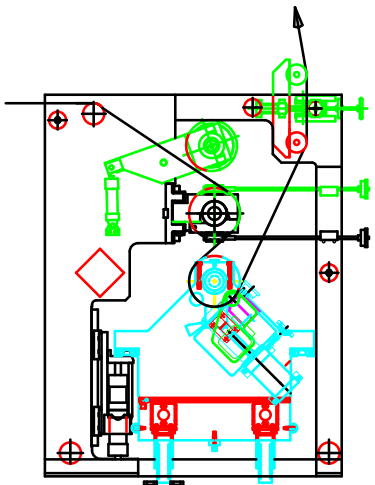
REVERSE GRAVURE COATER

- Enclosed Applicator
- Chrome-plated or ceramic-coated gravure rolls



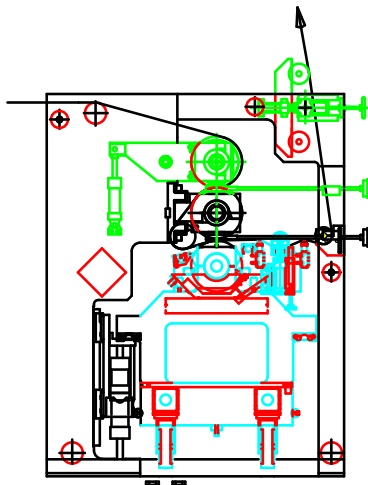
HIGH VOLUME FLEX BAR COATER

- Medium to high viscosity coatings
- Adjustable lip design
- Adjustable pond width



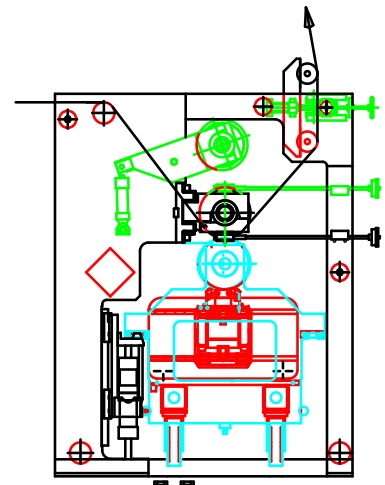
SLOT DIE COATER

- Chrome-plated or rubber covered back-up rolls
- Precise angle adjustment
- Proprietary lip designs



DUAL ROD COATER

- Designed for high speed and/or high viscosity
- Utilizes engraved rods
- Positive lock rod holders



"PGH" REVERSE GRAVURE COATER

- Pressurized gravure head
- Designed for increased speed demands
- Eliminates air entrapment